



Christian Network, Durbanville



Fugard Theatre



Residence, Bishopscourt



SKYLIGHTS



Cape Quarter Extension

ALUPLAN is a leading manufacturer of skylights which produce a natural and elegant lighting source.

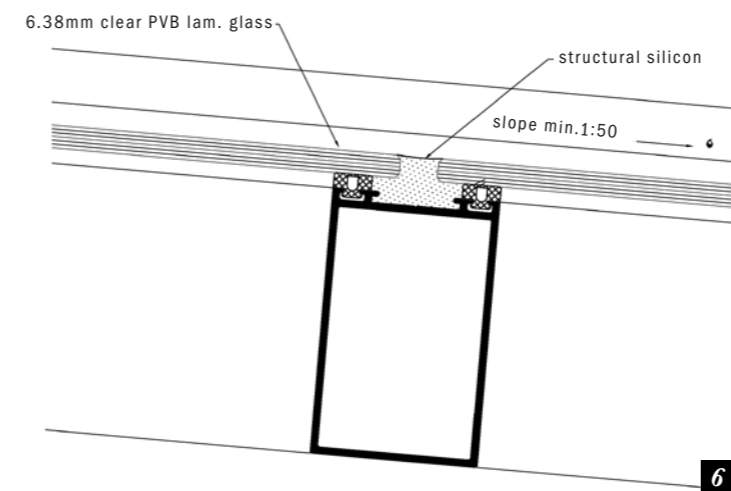
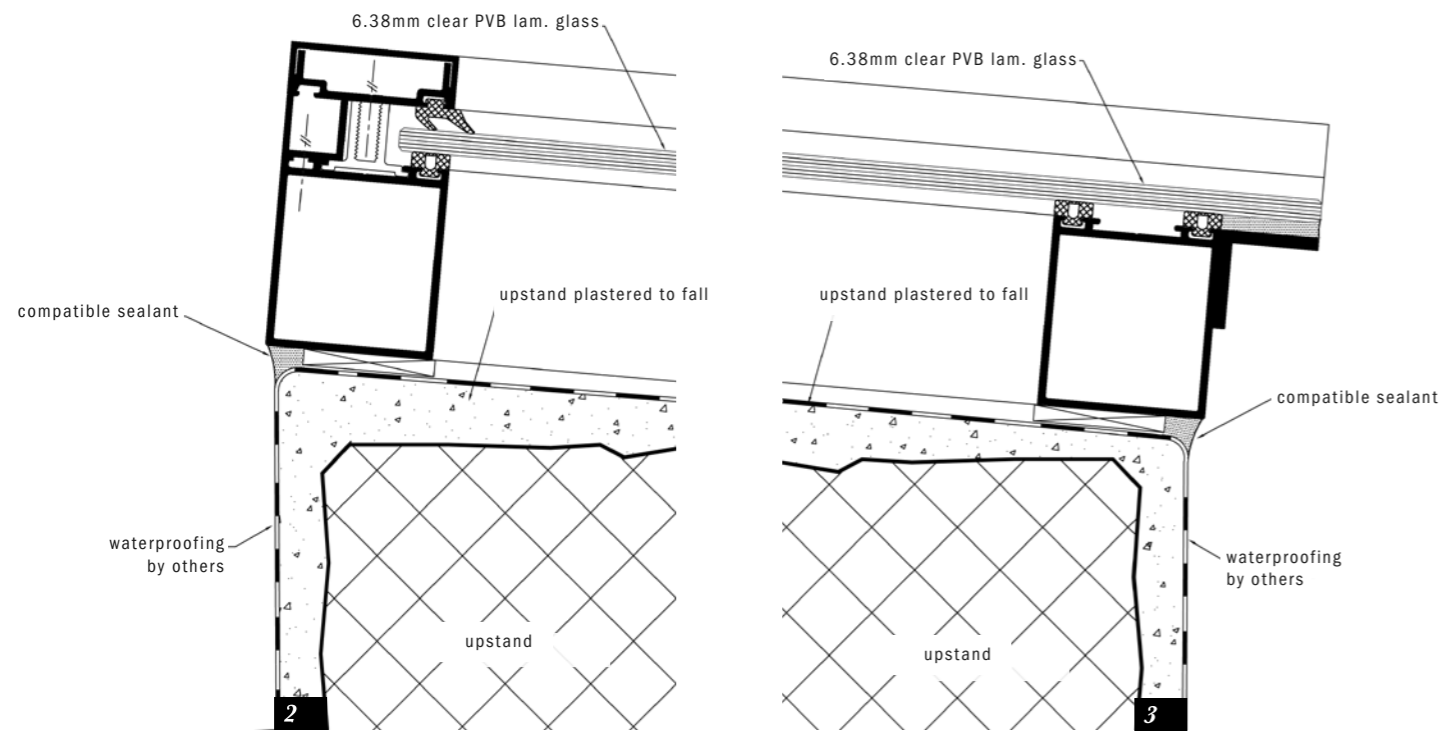
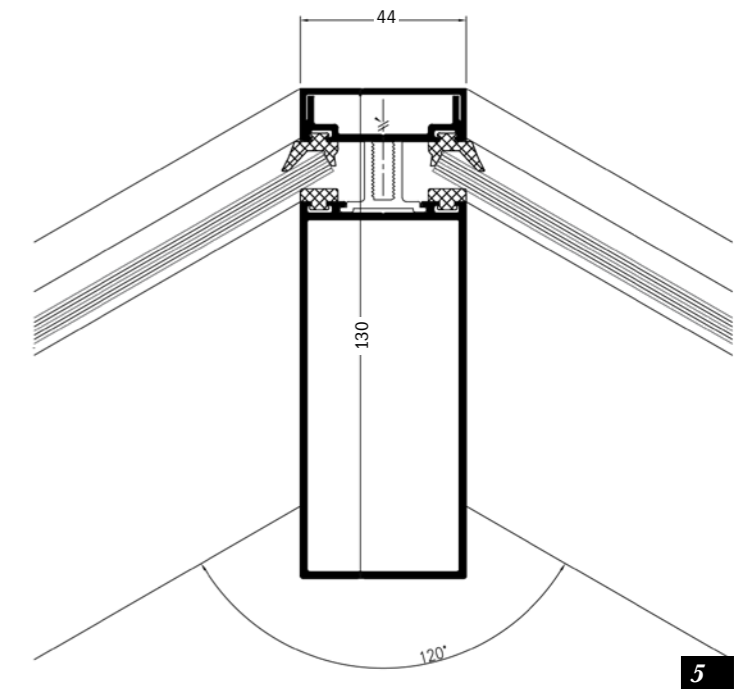
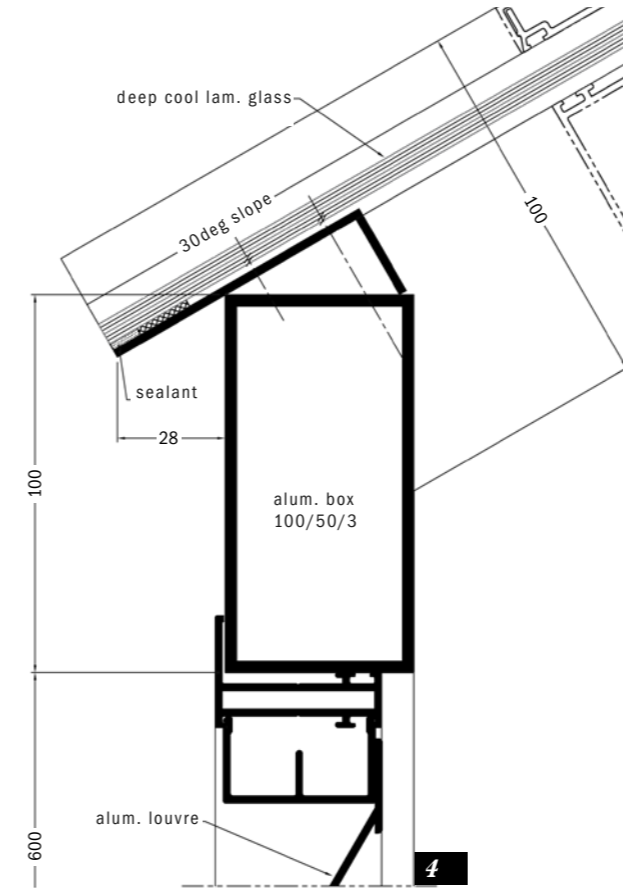
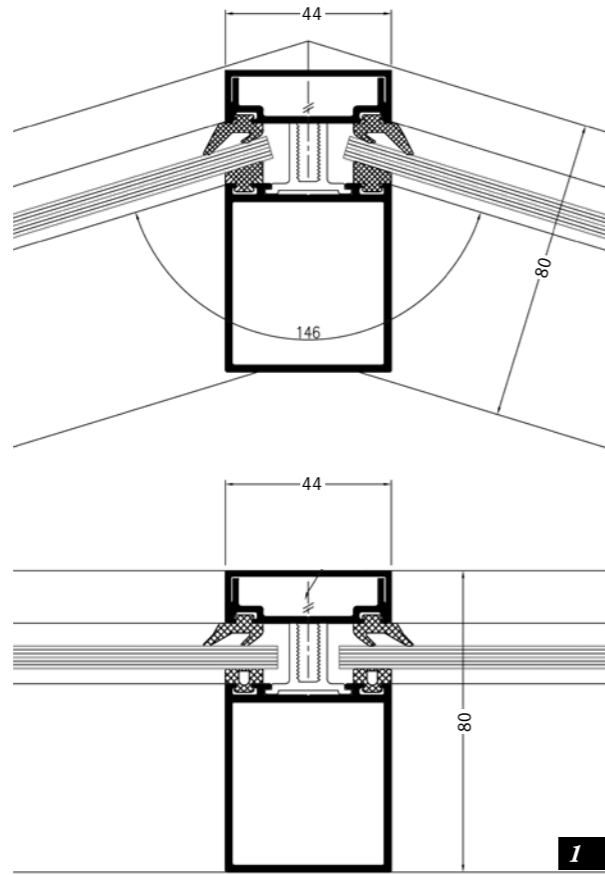
All skylights are custom designed and created to complement or enhance the look and feel of residential or commercial buildings. Our skylight feature can offer various options from thermal protection, colour design and finish all to suit virtually any natural lighting requirement.

All skylights are designed, manufactured and installed by **ALUPLAN** and are available for homes, offices, schools, factories, warehouses, sports facilities, gyms, care facilities, in fact all kinds of residential and commercial buildings.

Most of **ALUPLAN**'s skylights are fixed, but various designs are available:

- Sloped
- Pyramid and other shapes
- Walk on
- Hatch styled [open-able]

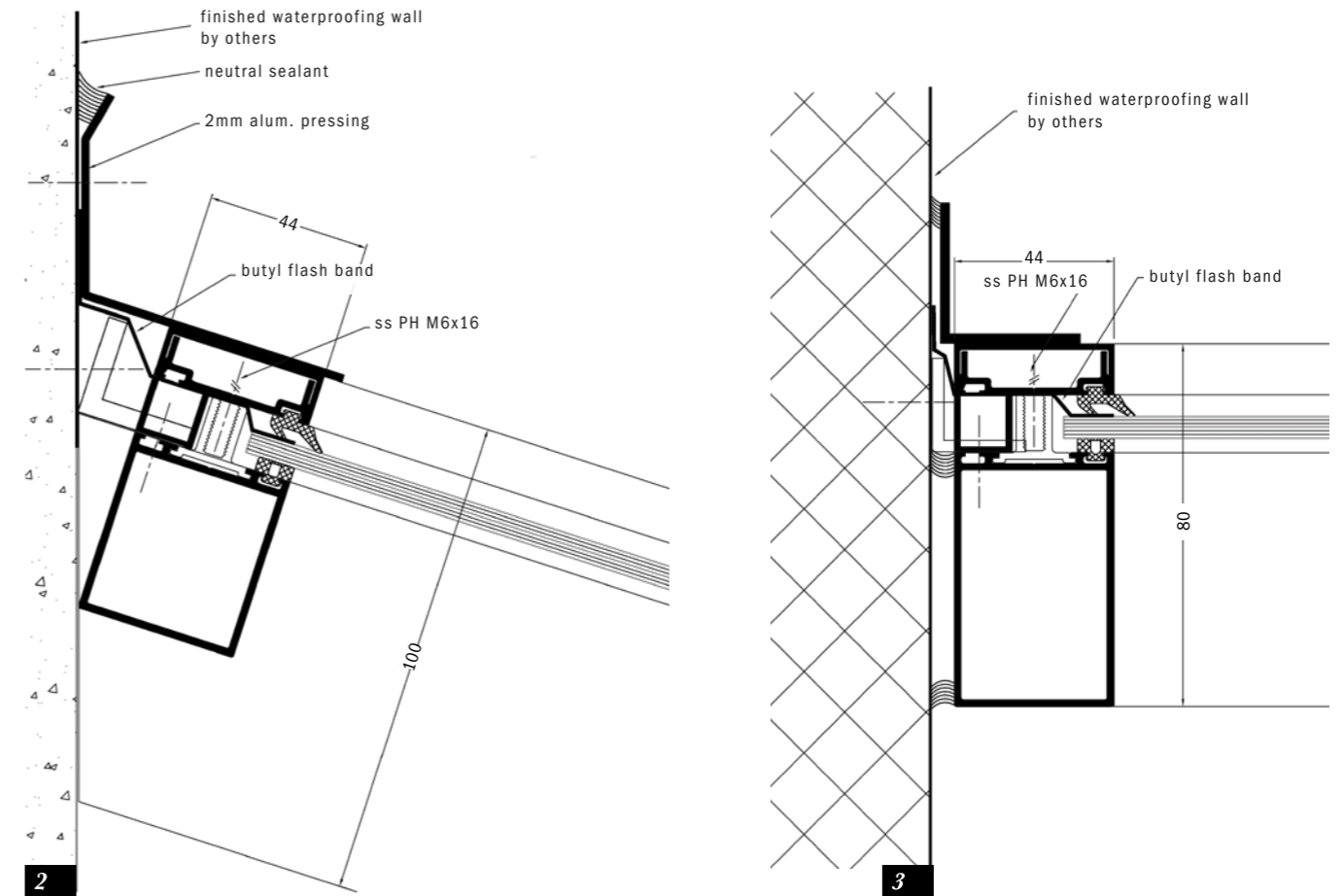
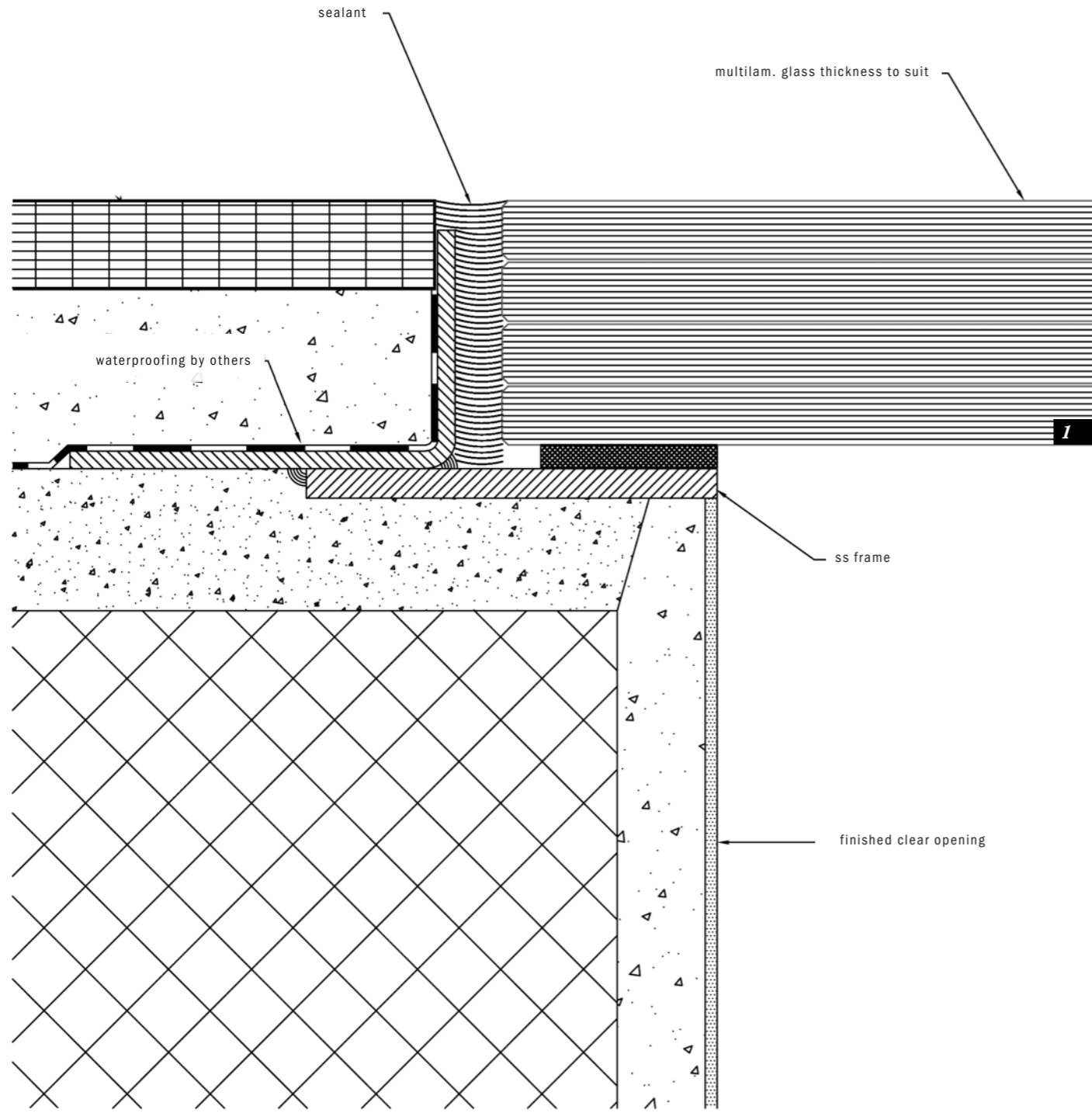
If you need a special skylight we can custom design and manufacture to meet your specific requirements.



- 1 HIP AND STRAIGHT MULLION
- 2 APEX OVER OPENING WITH UPSTAND
- 3 EAVES OVER OPENING WITH UPSTAND
- 4 SKYLIGHT ON UPSTAND WITH LOUVRES
- 5 SKYLIGHT APEX 30 DEGREE SLOPE
- 6 FLUSH GLAZED TRANSOM

SCALE
1:2





SKYLIGHT EAVES AT SLAB **1**
 TOP CONNECTION **2**
 WALL JOINT **3**

SCALE
1:2