



12 Apostles Hotel, Oudekraal. Powder Coating White gloss



3 1/2 Beach Bungalow, Clifton



Cape Quarter Extension, Somerset Road, Cape Town



## ISO100 DOORS



Cape Quarter Extension

**ALUPLAN** creates a variety of different yet elegant aluminium and glass doors using the ISO 100 Series which are suitable for residential or commercial projects.

### Hinged Doors

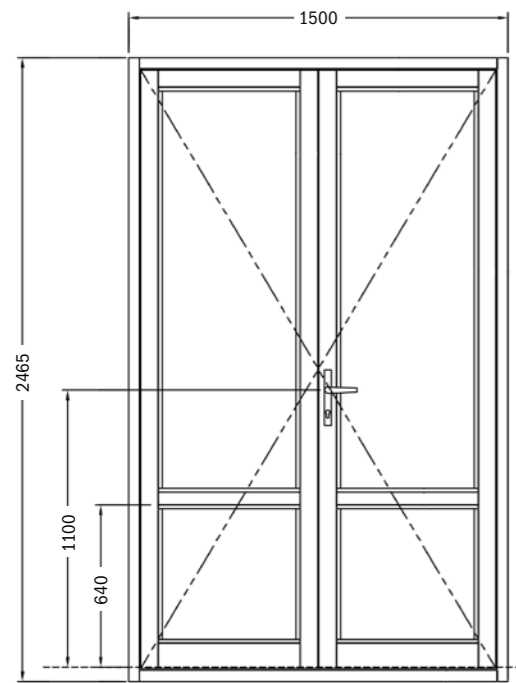
Hinged doors are standard items as single or double doors which can be used in residential or businesses.

These are typically standard in size, but **ALUPLAN** manufactures larger ones too and in addition the stable door [this type is divided into two with a top and bottom half].

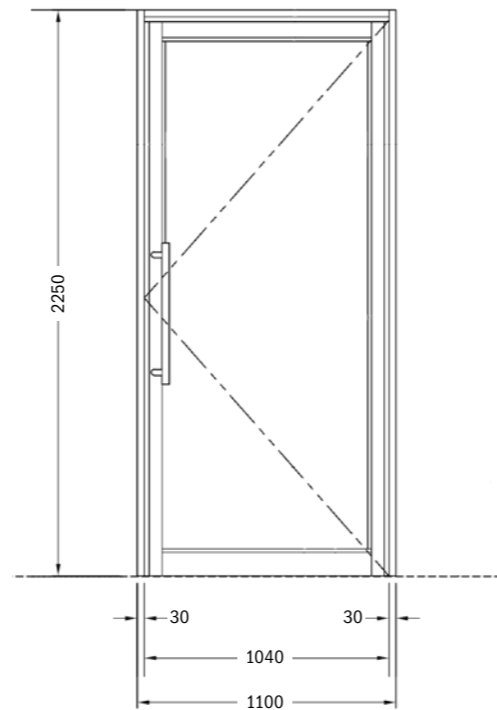
### Swing Doors

Pivot doors can be made up to 3 metres high or as wide as 1.5 metres in a single door, or for wider openings a pair of double pivoting doors is a stylish option. Whether you choose a solid framed or frameless door, translucent, clear or tinted glass you cannot go wrong with **ALUPLAN ARCHITECTURAL ALUMINIUM**.

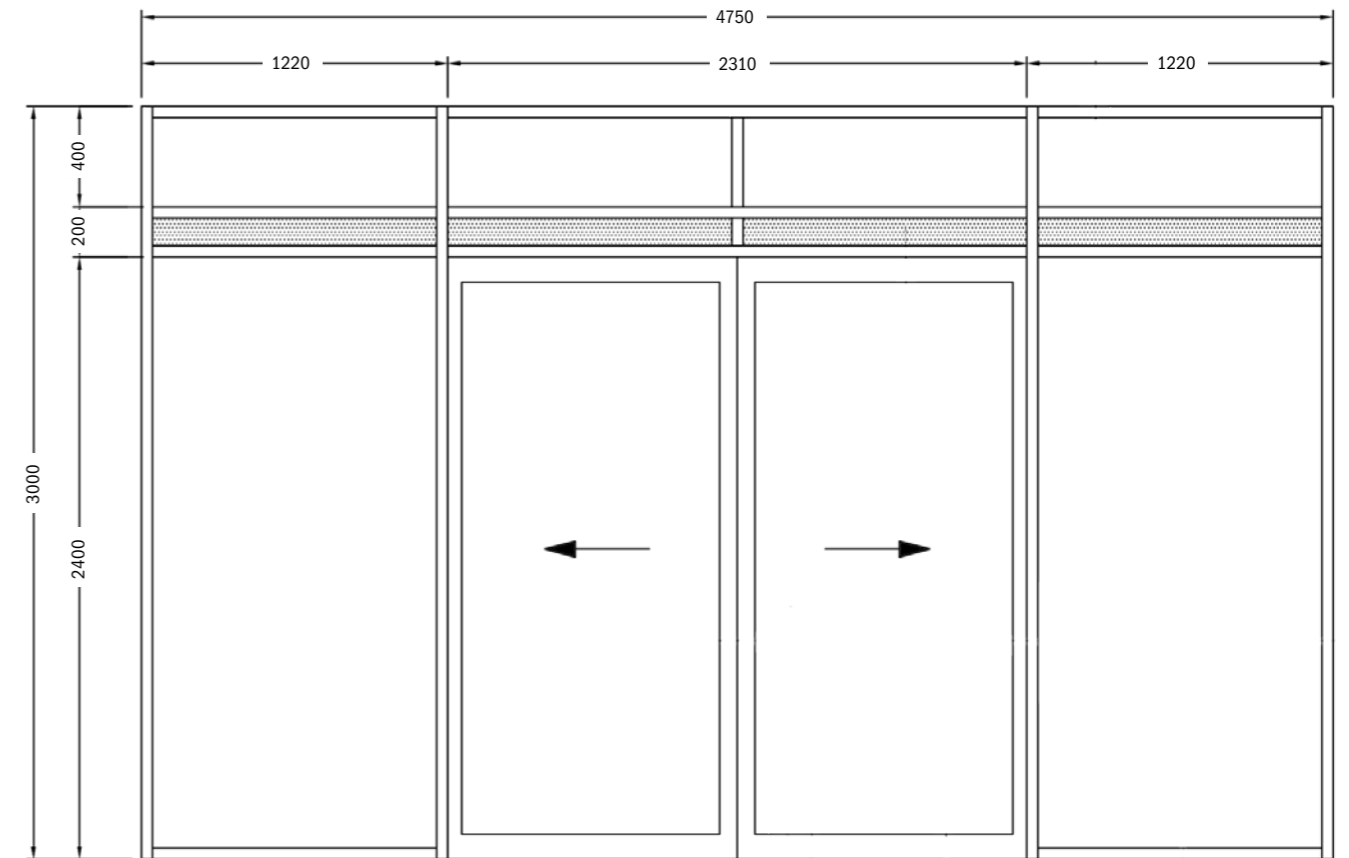
The advantages that a pivot door has over a traditional hinged door are the option of either push out or pull in for easy access in any situation. Pivoting doors can also be manufactured wider than hinged doors creating a more inviting entrance.



DOUBLE DOOR ELEVATION



DOOR ELEVATION



AUTO DOOR ELEVATION



Techno Park, Stellenbosch. Powder Coating Bronze

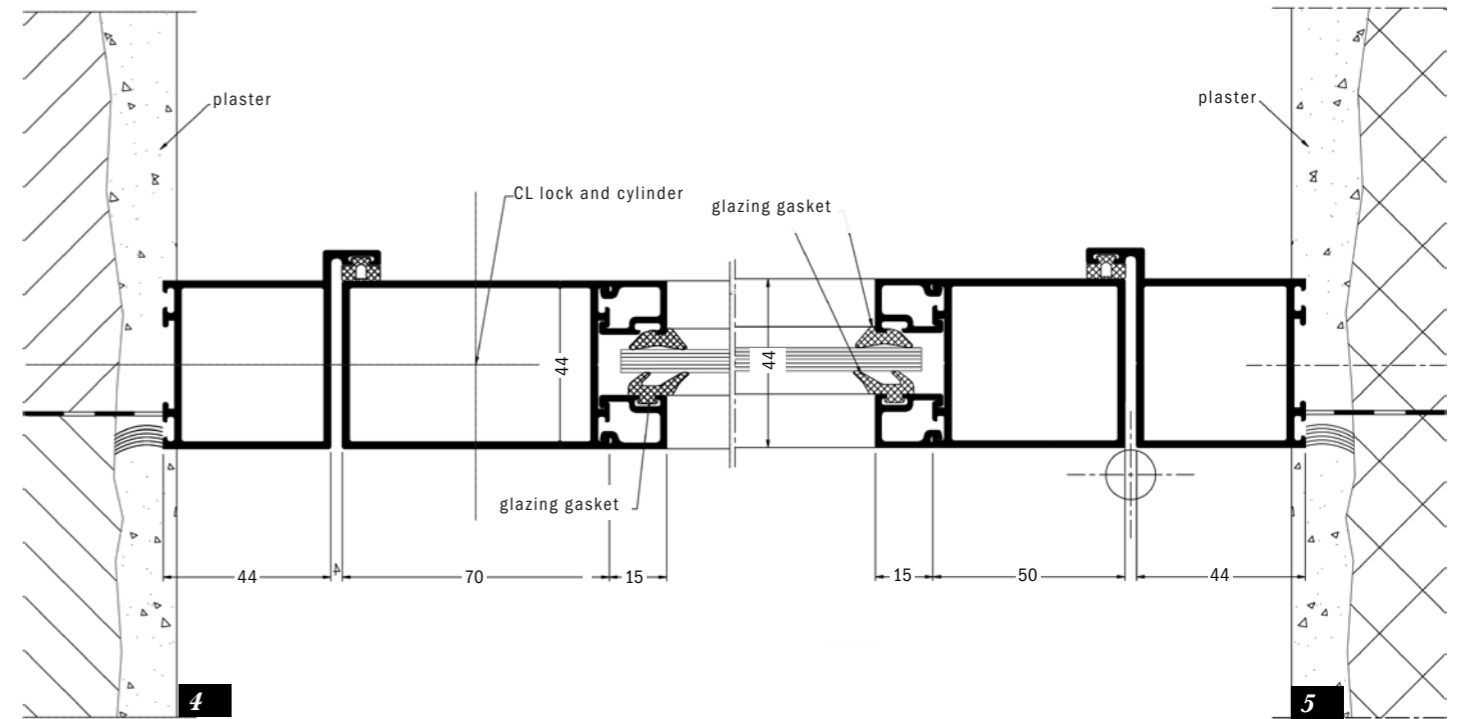


Medical Centre, Bellville.

SCALE  
1:30



Barley Bay apartments



Claremont

- HEAD FRAME OPEN OUT **1**
- CILL/KICK RAIL **2**
- DOUBLE DOOR MEETING STILES **3**
- LOCK JAMB TO WALL **4**
- HINGED STILE **5**

SCALE  
1:2