

Cape Quarter Extension, Somerset Road, Cape Town



380 SERIES CASEMENT

ALUPLAN's 380 series casement window system provides weather proof openings which maximise admission of light and the benefits of good weather.

The 380 series windows may be used in typical standard and size configurations or be adapted into custom configurations and assemblies.

Benefits include:

- Standard or custom configuration and sizes.
- Weather tight glazing system.
- Economic low maintenance extrusions.
- Attractive contemporary design.
- Optional coated frame work and tinted glazing.
- Adjustable ventilation louvres can be incorporated.

There are different sash openings:

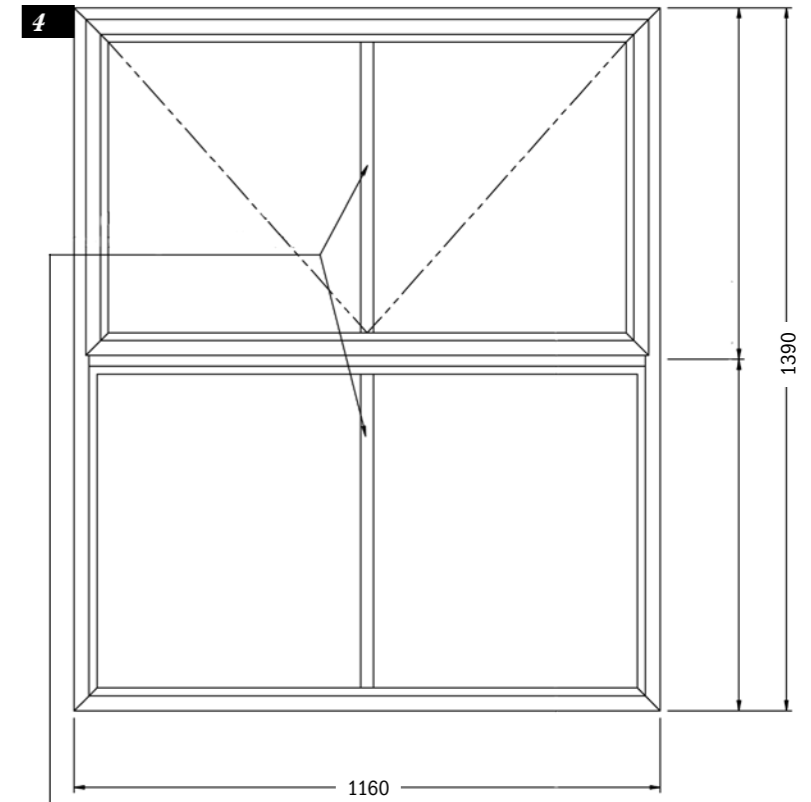
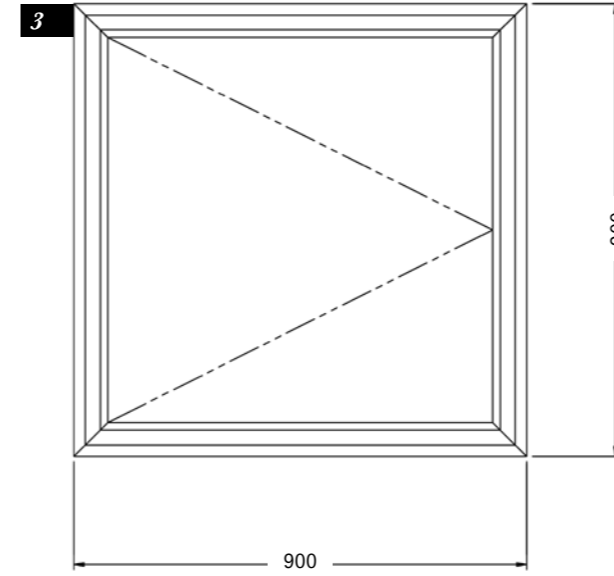
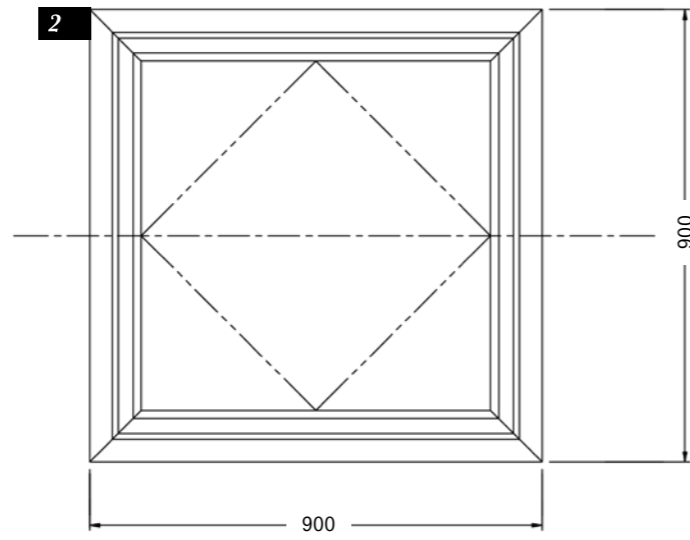
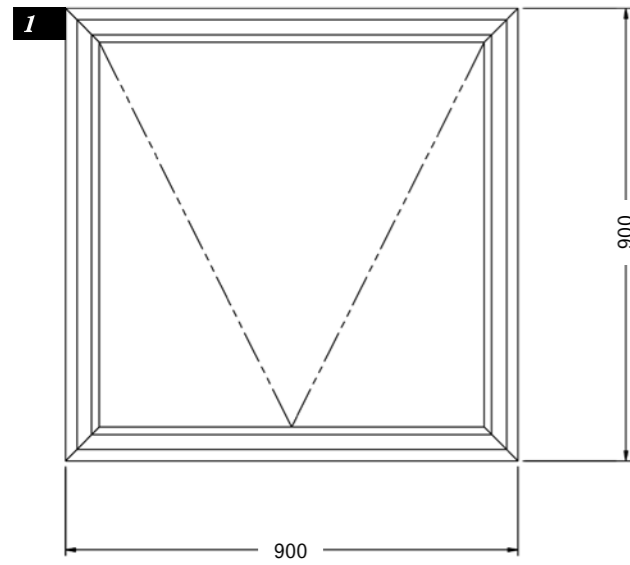
- **TOP HUNG:** hinges from the top and the sash opens from the bottom outward.
- **BOTTOM HUNG:** hinges from the bottom and the sash opens from the top inwards.
- **SIDE HUNG:** hinges from on the sides, and the sash can open from either the left or right.
- **PIVOT:** window opens inward (rotates).

The 380 series can be couple with the ISO100 series.

WINDOW SIZES are governed by AAAMSA regulations. Size restrictions are based on practicalities and limited by the standard iron mongery.



Cape Quarter Extension, Napier street, Cape Town



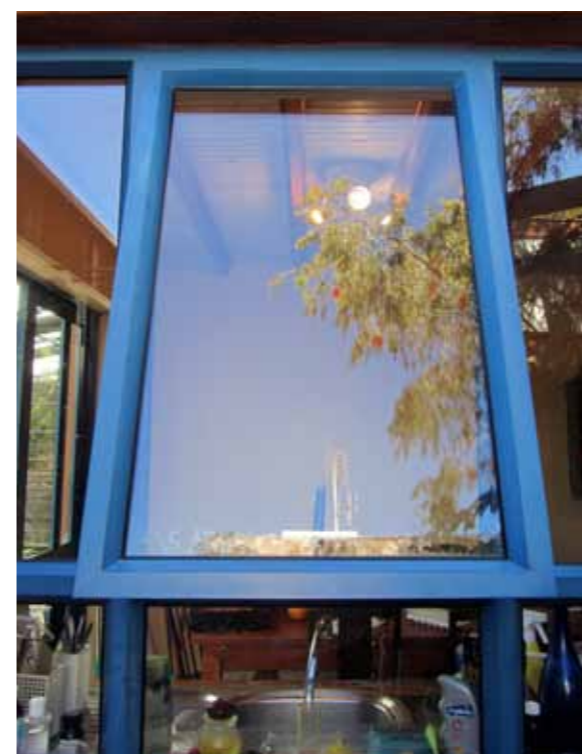
Flat glazing bar bonded to glass on both sides



Techno Park, Stellenbosch



Harry Porter Botanical Gardens, Bettys Bay. Powder Coating Moss Green Matt



Residence, Kommetjie

TOP HUNG WINDOW ELEVATION **1**

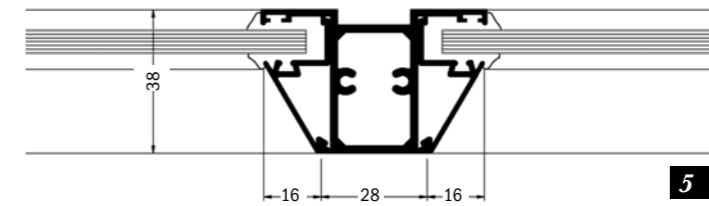
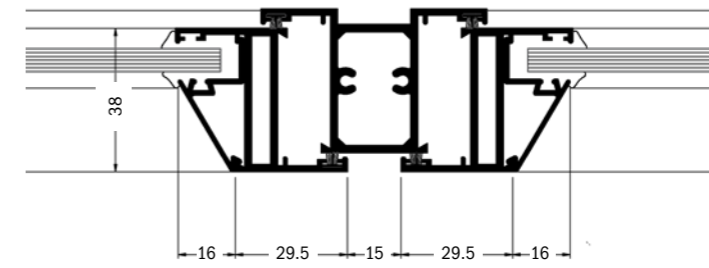
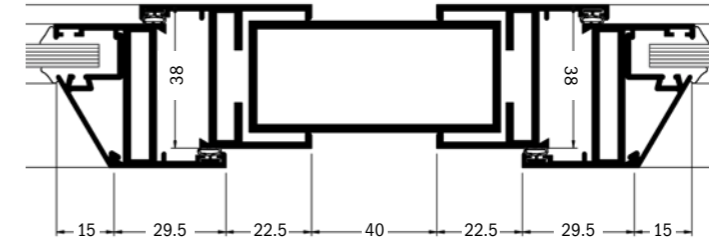
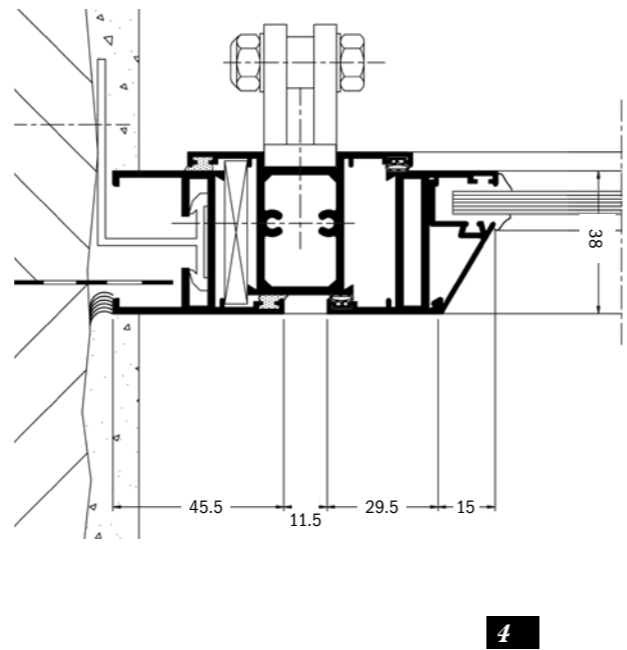
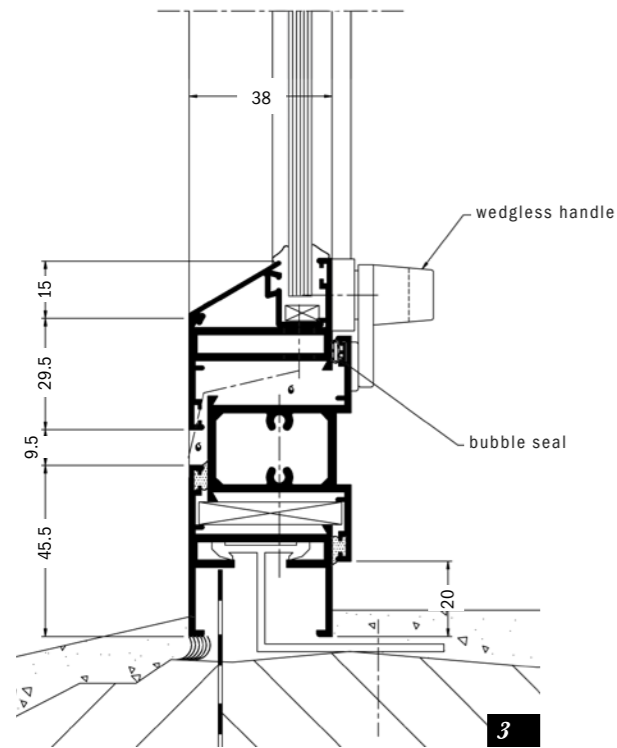
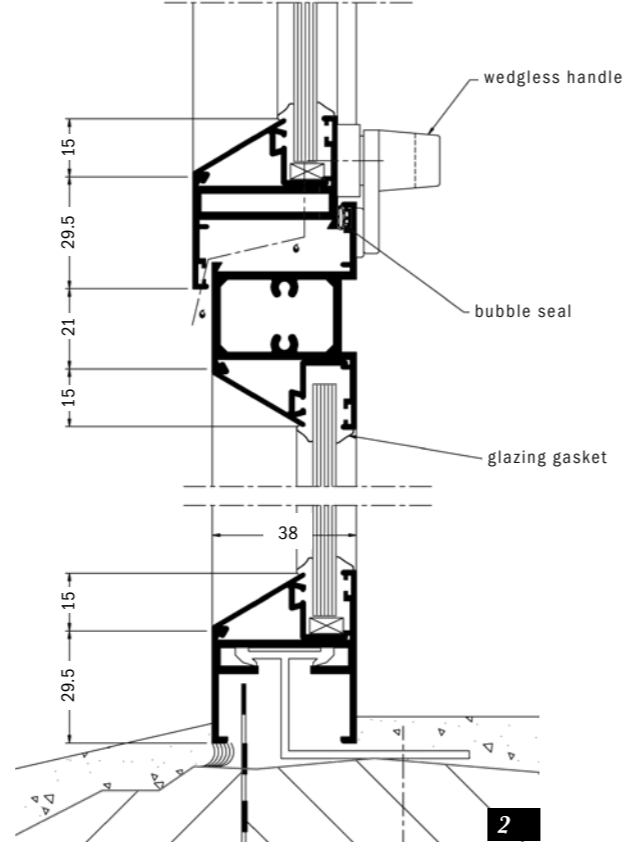
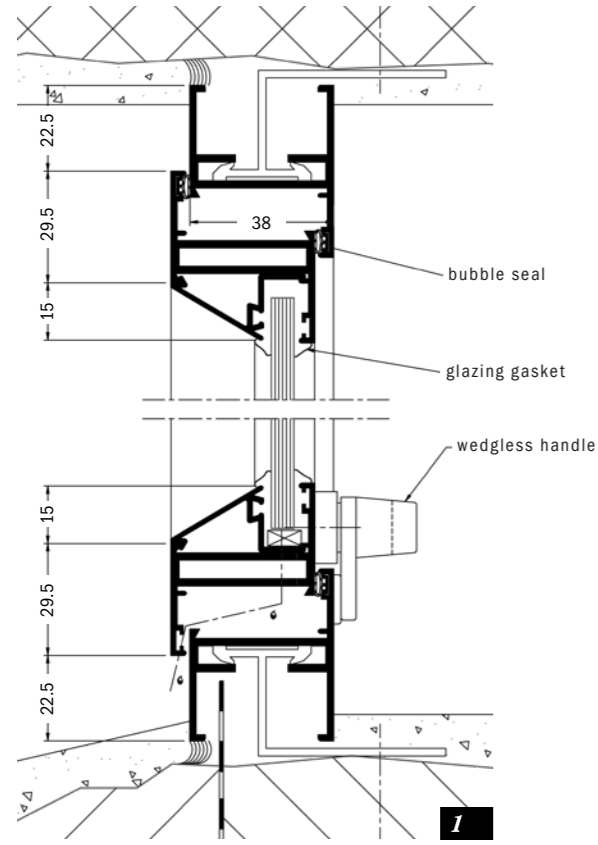
PIVOT WINDOW ELEVATION **2**

SIDE HUNG WINDOW ELEVATION **3**

TOP HUNG WINDOW ELEVATION (w/GLAZING BAR) **4**

SCALE
1:15





Cape Quarter Extension

- TOP HUNG SILL & HEAD **1**
- FIXED LIGHT VERTICAL SECTION **2**
- HORIZONTAL PIVOT SILL **3**
- HORIZONTAL PIVOT JAMB **4**
- MULLIONS AND TRANSOMS **5**

SCALE
1:2