



91 Main Road Offices, Claremont. P.C. Matt stone grey



ISO44 CASEMENT



UWC Mertology Building, Bellville

Casement windows are a common and leading window system providing style, security and versatility. Hence they are a popular choice for new homes and commercial projects.

ALUPLAN ARCHITECTURAL ALUMINIUM specialises in creating custom casement units for both new projects and as replacements for older windows.

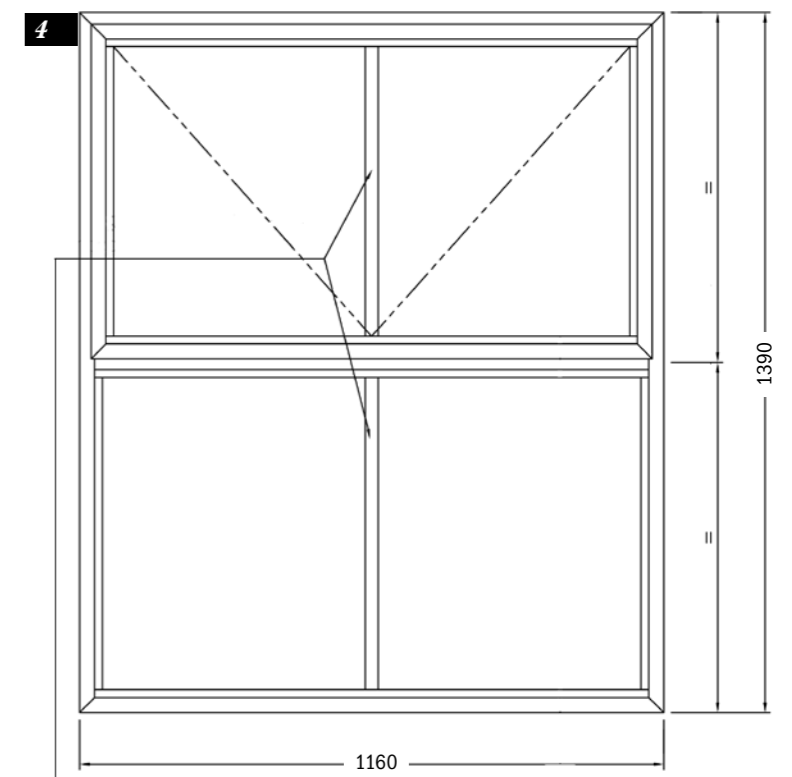
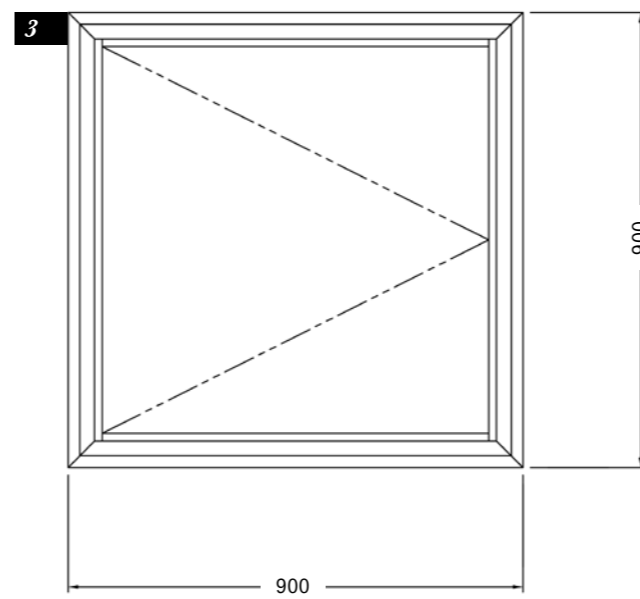
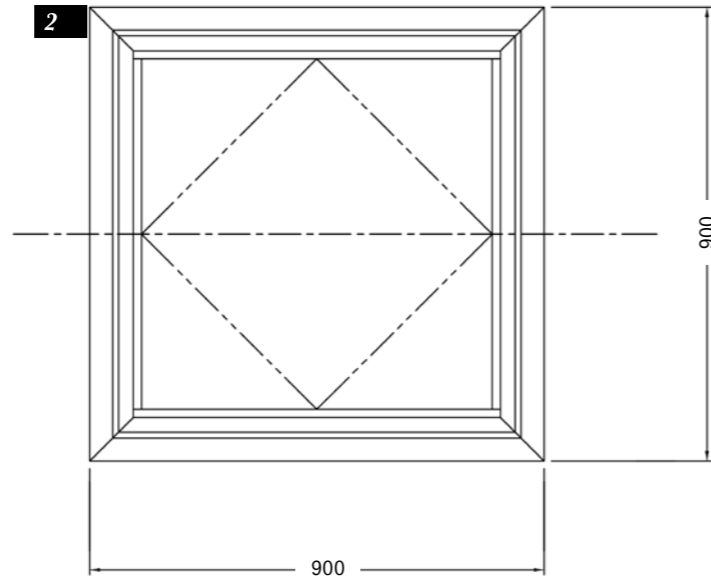
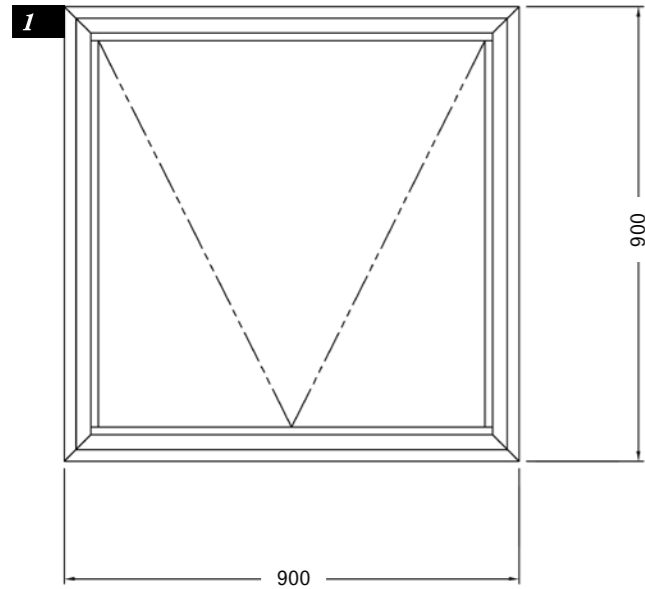
With our superior craftsmanship a wider window section was created to complement the ISO 100 Series. The traditional 380 system is improved and uses a square bead to match the ISO 100 Series.

The only difference between the 380 series casement and the ISO44 is that the sections used are wider, thicker and

stronger. This is the maximum thickness available for window sections at present. The frame has a substantial 44mm 'platform width' - which makes it one of the most robust products on the market

As with the lighter 380 Series system, there are various configurations available with the same type of opening sashes possible. Casement (side opening) sashes are also available as an option. These are fitted with stainless steel friction stays and deluxe wedge handles.

For an obligation free quote for all of your customised glass and aluminium windows, please contact **ALUPLAN**.



Flat glazing bar bonded to glass on both sides



200 Main Road, Claremont

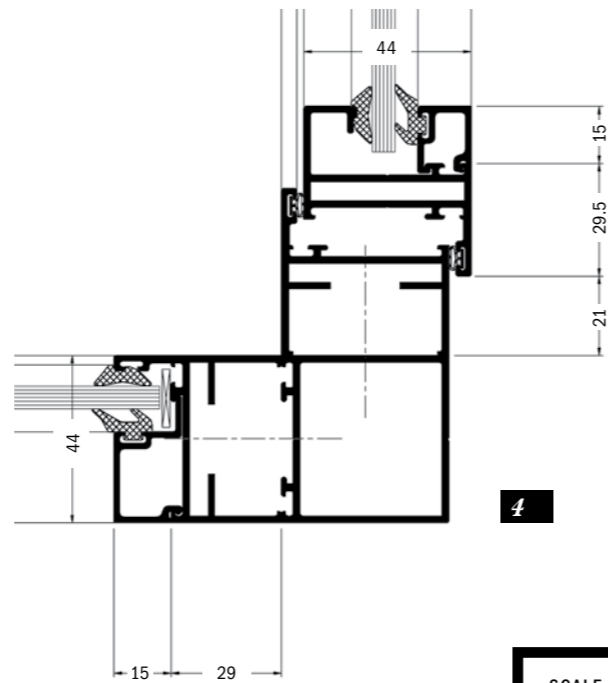
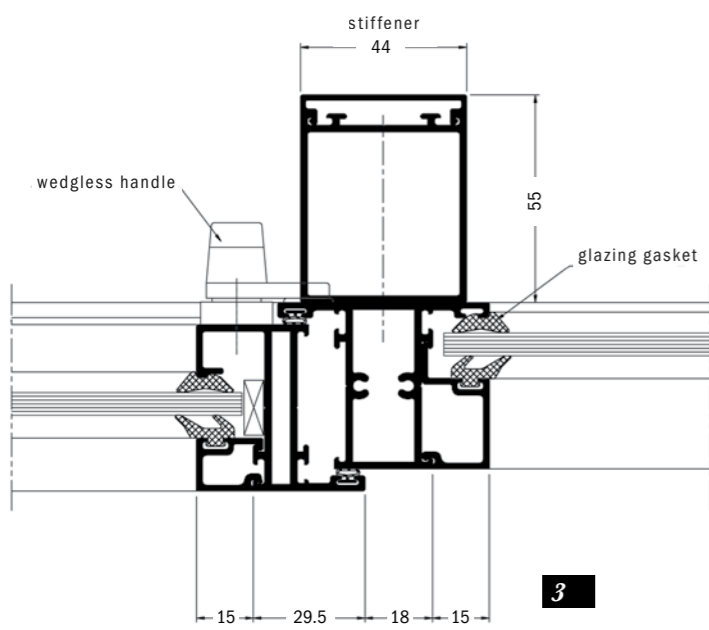
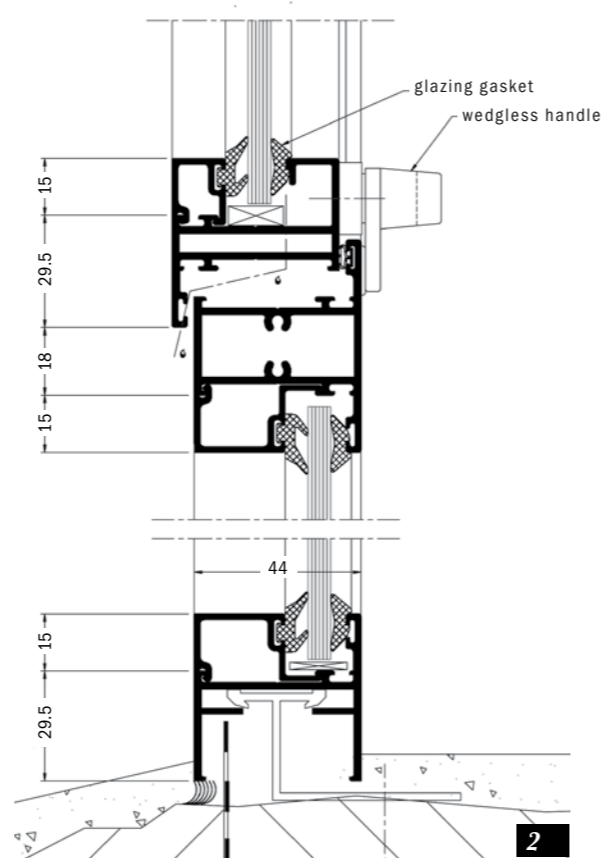
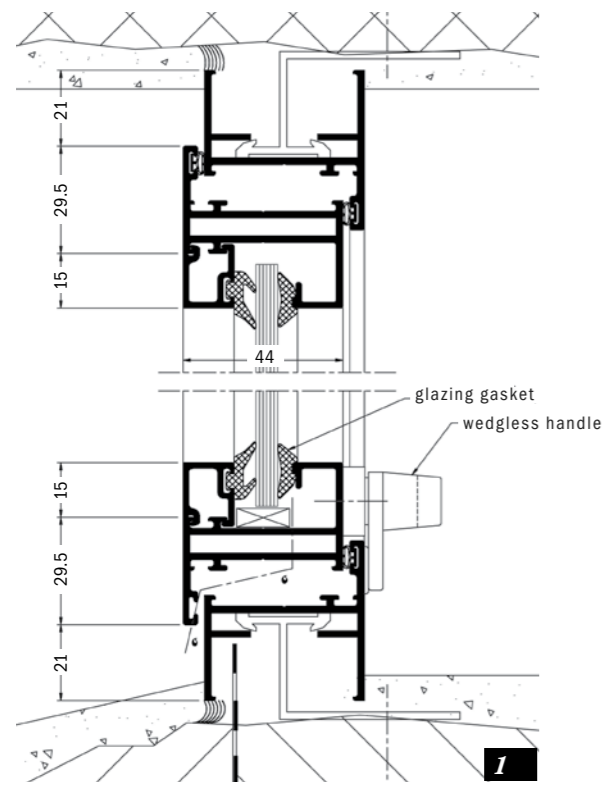


Residence, Benguela Cove Hermanus

- TOP HUNG WINDOW ELEVATION **1**
- PIVOT WINDOW ELEVATION **2**
- SIDE HUNG WINDOW ELEVATION **3**
- TOP HUNG WINDOW ELEVATION w/GLAZING BAR **4**

SCALE
1:15





SCALE
1:2



- 1** TOP HUNG WINDOW (VERTICAL SECTION)
- 2** TOP HUNG WINDOW (w/FIXED LIGHT)
- 3** MULLION (w/STIFFENER)
- 4** TOP HUNG 90 DEGREE CORNER